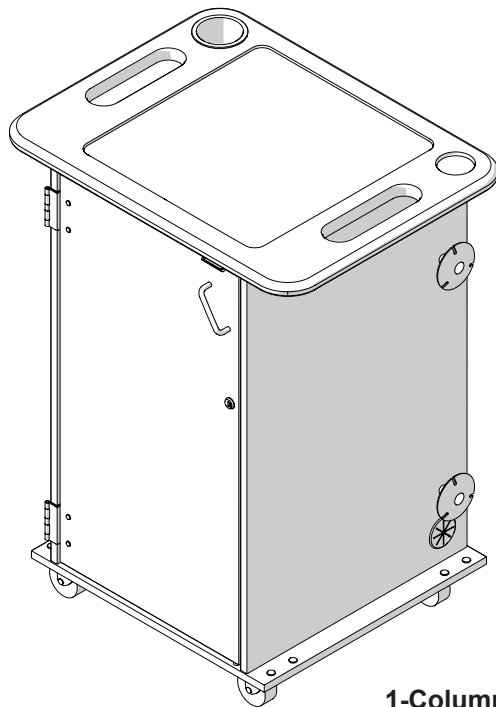
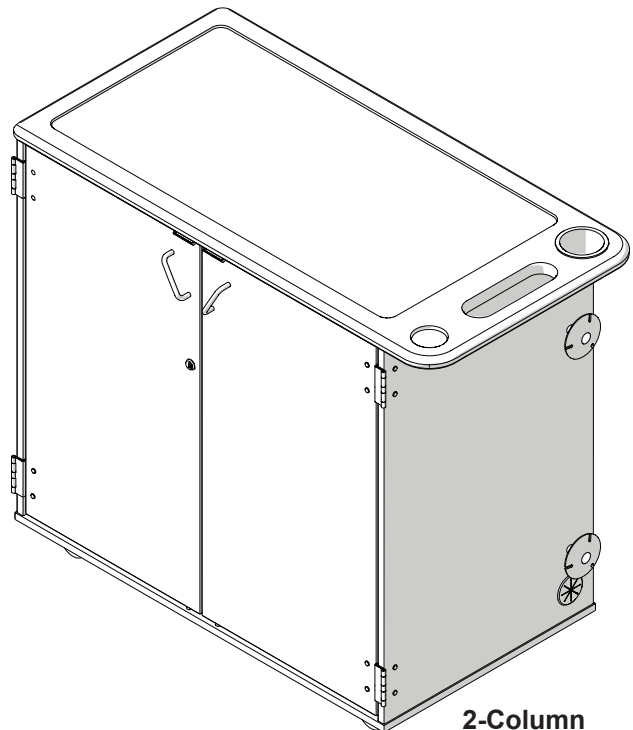




Owner's Manual Media Storage Systems - Mobile Media Cabinets



**1-Column
Mobile Media
Storage Cabinet**



**2-Column
Mobile Media
Storage Cabinet**

Contents

Important User Information	2	Operation	6
General	2	Repositioning Drawers and Slide-Out Shelves	6
Manufacturer	2	Rackmount Electronics	7
Intended Use	2	Cable Management	8
Warranty	2	Rear Access Door	8
Safety Precautions	2	Cleaning	8
Component Identification	3	Weight Limits	8
Structural Components	3	Digital Lock Accessory Note	8
Accessories	3		
Hardware Parts List	3		
Installation	4		
Position the Adjustable Shelves	4		
Optional Power Strip	5		

Visit the media storage web page at wengercorp.com for more information.

Note: Please read and understand these instructions before assembly or use.

Note: If you need additional information, contact Wenger Corporation using the information below.

Important User Information

General

Copyright © 2022 by Wenger Corporation

All rights reserved. No part of the contents of this manual may be reproduced, copied, or transmitted in any form or by any means including graphic, electronic, or mechanical methods or photocopying, recording, or information storage and retrieval systems without the written permission of the publisher, unless it is for the purchaser's personal use.

Printed and bound in the United States of America.

The information in this manual is subject to change without notice and does not represent a commitment on the part of Wenger Corporation. Wenger Corporation does not assume any responsibility for any errors that may appear in these instructions.

In no event will Wenger Corporation be liable for technical or editorial omissions made herein, nor for direct, indirect, special, incidental, or consequential damages resulting from the use or defect of these instructions. The manufacturer reserves the right to change this product at any time.

The information in this document is not intended to cover all possible conditions and situations that might occur. The end user must exercise caution and common sense when assembling or installing Wenger Corporation products. If any questions or problems arise, call the Wenger Corporation at (800) 4WENGER (493-6437) or +1-507-455-4100 worldwide.

Manufacturer

The Media Storage Systems are manufactured by:
Wenger Corporation
555 Park Drive
Owatonna, MN 55060
(800) 4WENGER (493-6437) • +1 (507) 455-4100
wengercorp.com

Intended Use

- This product is intended for indoor use in normal ambient temperature and humidity conditions — it must not be exposed to prolonged outside weather conditions.
- This product is intended to be assembled and used only as described in these instructions.

Warranty

This product is guaranteed free of defects in materials and workmanship for ten full years from date of shipment. A full warranty statement is available upon request.

Optional power strips, digital locks and other electronic equipment are covered by the individual manufacturer's warranty.

Safety Precautions

Throughout this document you may find cautions and warnings which are defined as follows:

- **WARNING:** Failure to follow the instruction could result in serious injury or damage to property.
- **CAUTION:** Failure to follow the instruction could result in minor injury or damage to property.

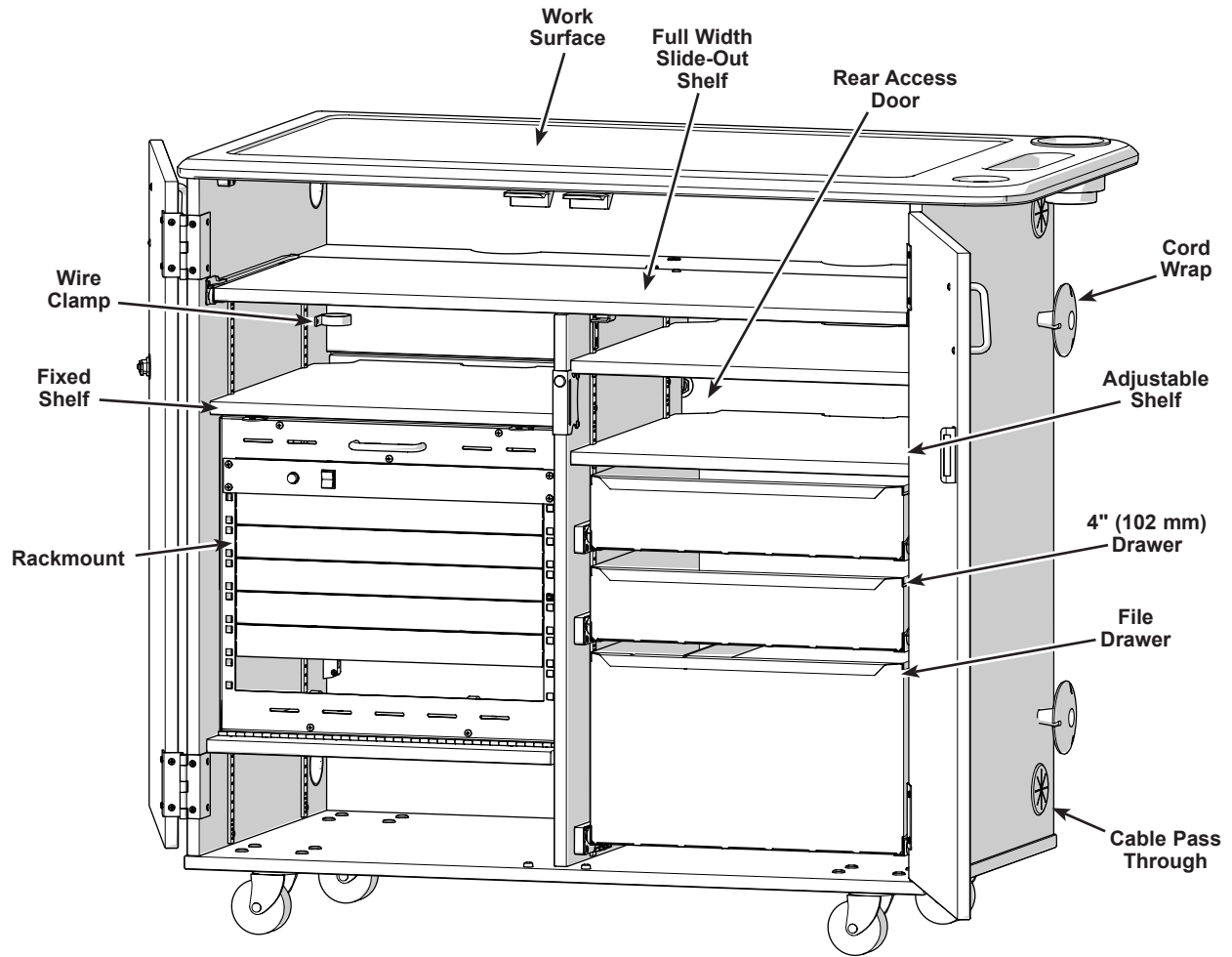
Read all of these safety instructions before assembling the media storage system.

⚠ CAUTION
<i>Make sure anyone assembling or installing the media storage system has read and understands these instructions.</i>

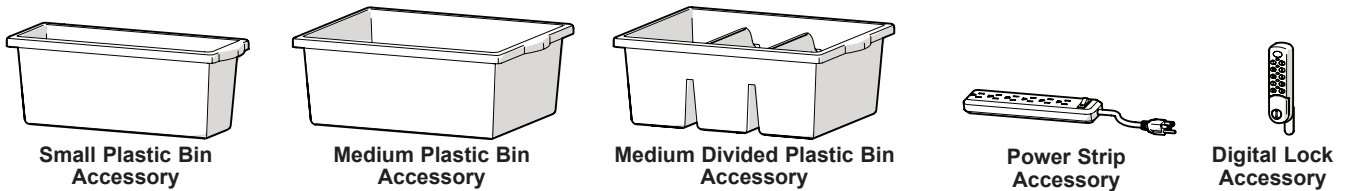
⚠ CAUTION
<i>Failure to comply with Warnings and Cautions in this document can result in damage to property or serious injury.</i>

Component Identification

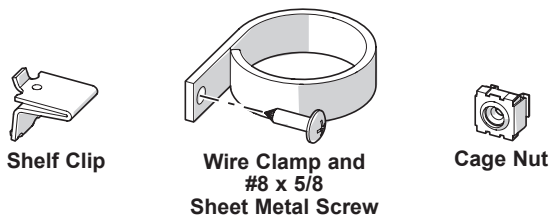
Structural Components



Accessories



Hardware Parts List



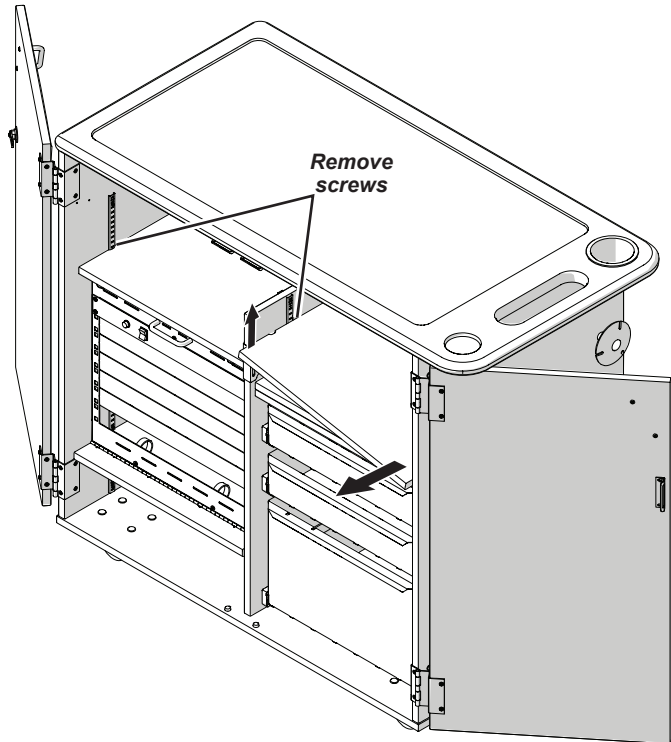
**Quantities may vary, extras can be discarded.*

Installation

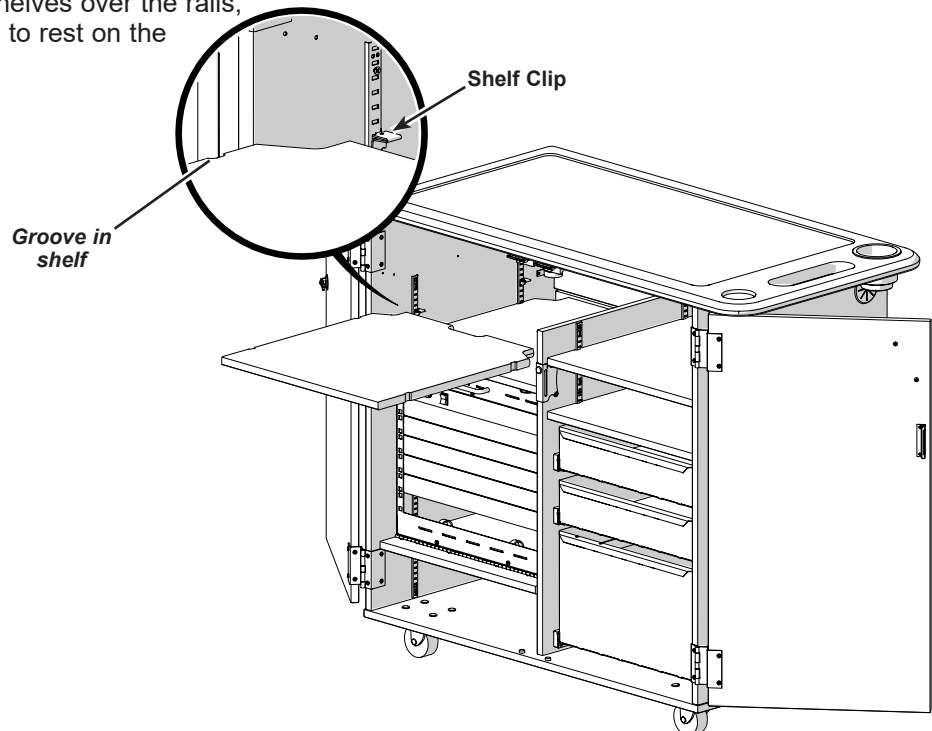
IMPORTANT: The following procedures are shown using the 2-column mobile media cabinet, the procedures for the 1-column mobile media cabinet are similar unless indicated otherwise.

Position the Adjustable Shelves

1. Remove any screws that held the adjustable shelves in place during shipping.
These screws can be discarded.
2. For each adjustable shelf being placed, position one shelf clip at even elevations on each of the four rails.
3. Tilt each shelf up on one side slightly as shown and pull it out to remove.



4. Fitting the grooves in the shelves over the rails, tilt the shelves into position to rest on the shelf clips.

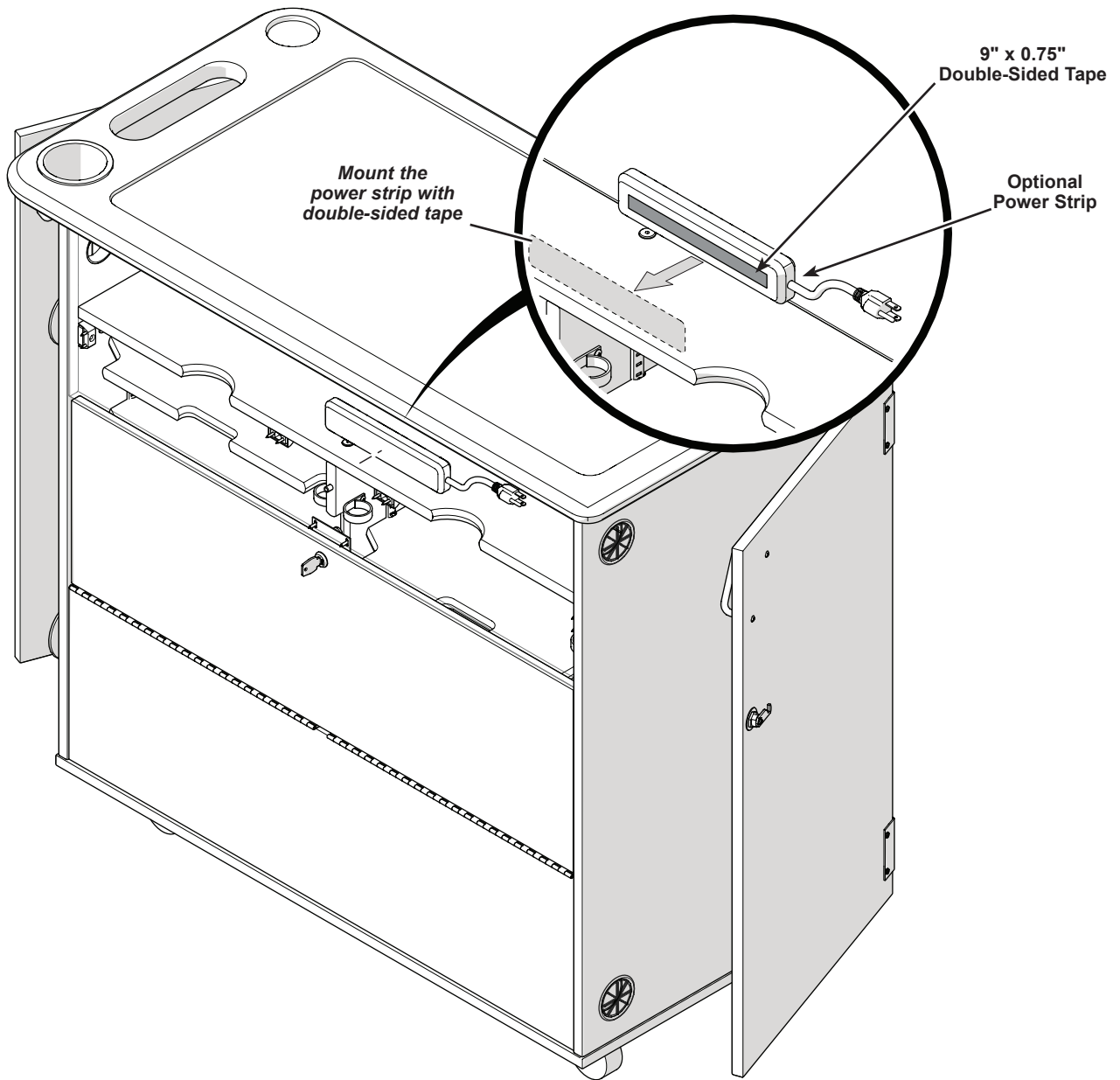


Installation (continued)

Optional Power Strip

1. If attaching the optional power strip:
 - a. Clean the inside surface of the cabinet where the power strip will be applied.
 - b. Remove the backing from the double-sided tape and mount the power strip as shown.

Note: Foam tape is difficult to remove once set. Be sure of location before pressing in place.



Operation

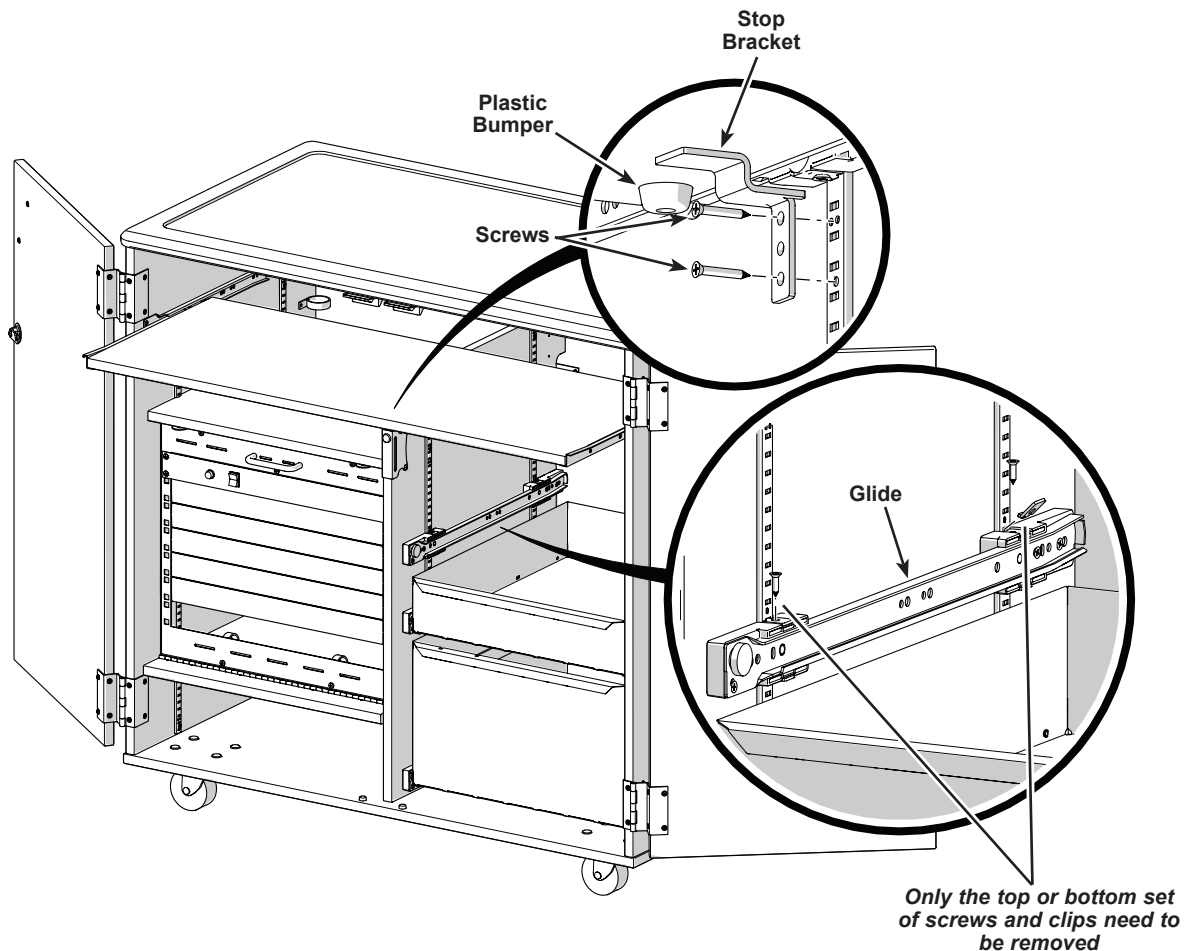
Repositioning Drawers and Slide-Out Shelves

1. Drawers and half width slide-out shelves can be repositioned at different heights in 1/2" (13 mm) increments by relocating the glides along the rails.
 - a. Remove the drawer or the slide-out shelf and stop bracket from the glides by first pulling it outward, then tilting it up and lifting it out.

The stop bracket can either be on the top or bottom of the slide-out shelf.
The plastic bumper does not need to be removed from the slide-out shelf.
 - b. Remove either the top or bottom set of screws and clips attaching both glides to the rails.
 - c. Relocate the glides at even elevations on each of the four rails and reattach the screws and clips to secure them into place.
 - d. Reinstall the drawer or the shelf and stop bracket.

Only 1-column slide-out shelf can be repositioned.

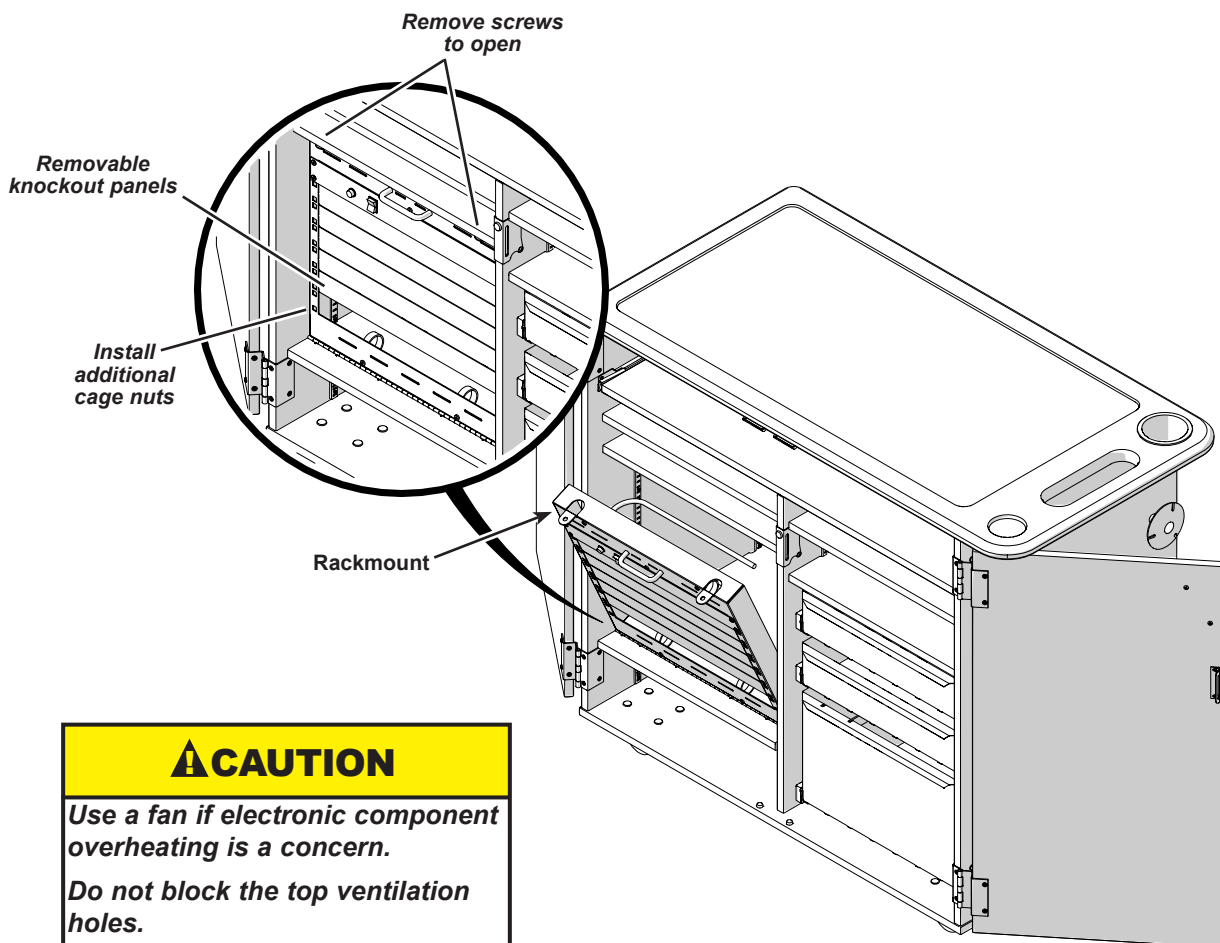
The 2-column slide-out shelf is shown below only to reference the stop bracket location.



Operation (continued)

Rackmount Electronics

1. Electronic components can be accessed by tipping out the rackmount.
2. Additional electronic components can be added but must be done so according to their manufacturer's specifications.
Place deeper components at the bottom of the rackmount.
3. Knockout panels can be removed from the rackmount by twisting them until they break away from the frame.
4. To open the rackmount, remove the two screws securing it to the above fixed shelf and carefully tip it down until the bottom rests on the shelf below.
5. Cage nuts can be relocated or installed to match component settings.
6. When routing cables inside of the rackmount, leave enough excess to tip the panel forward.



Operation (continued)

Cable Management

Cable pass throughs are located at the top and sides to route cables through the cabinet.

Notches in the shelves and dividers allow cables to be routed at the back of the cabinet.

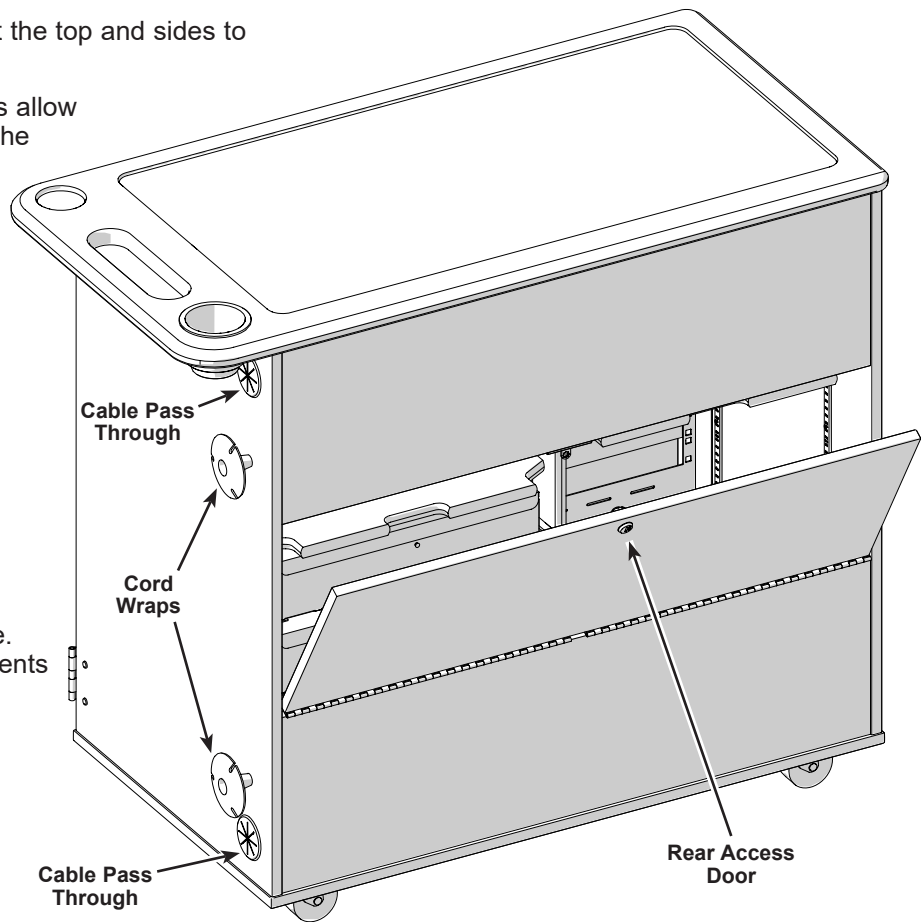
Wire clamps assist in routing cables throughout the cabinet. The clamps can be repositioned or more can be added as needed.

Rear Access Door

Components and connections can also be accessed from the back of the cabinet through the lockable rear access door.

Cleaning

Use a soft cotton cloth and a mild detergent to clean the work surface. Avoid using harsh, abrasive detergents or solvents.



Weight Limits

These structural components are rated at the maximum load capacities:

- 4" (102 mm) drawer - 40 lb (18 kg)
- File drawer - 65 lb (29 kg)
- Fixed, adjustable and slide-out shelves - 40 lb (18 kg) per shelf

Digital Lock Accessory Note

The digital lock accessory is supplied in the "PRIVATE" operating mode.

In this mode, the user must enter a four-digit user code to open it. The unit will re-lock itself after four seconds. The lock can be opened at any time using the master code. Unless manufactured to special order, the default master code is 11 33 55 77 and the default user code is 22 44.

These codes are common to all standard locks and it is very important that you set your own personal master and user codes.

Your lock is not secure until you have changed the default master and user codes.

Keep a safe record of your master code as it is not possible to make any programming changes without it.

Please see the programming guide to set your own codes.
